



**Modular Cooking Range Line  
700XP 1 Well Freestanding El. Fryer  
14 liter - Marine**

ITEM # \_\_\_\_\_

MODEL # \_\_\_\_\_

NAME # \_\_\_\_\_

SIS # \_\_\_\_\_

AIA # \_\_\_\_\_



371162 (E7FRMDIFF5)

14-lt electric Fryer free standing with 1 well (internal heating elements), 1 basket and lid included - Marine

**Short Form Specification**

Item No. \_\_\_\_\_

To be installed on height adjustable feet in stainless steel. High efficiency tilting incoloy armoured heating elements (8.7kW) placed inside the well. Deep drawn well. Oil drains through a tap into a container under the well. Exterior panels in stainless steel with Scotch Brite finish. One piece pressed work top in 1.5 mm thick stainless steel. Right-angled side edges to allow flush-fitting junction between units.

**Main Features**

- Optional portable oil quality monitoring tool (code 9B8081) for efficient oil management.
- Unit to be mounted on open base cupboards, bridging supports or cantilever systems.
- Large drain hole on cooking surface permits the draining of fat into large 1 liter collector placed under the cooking surface.
- Large grease collection container available as optional accessory to be installed under top units over open base cupboard.
- Electric elements in incoloy positioned under the cooking plate.
- Safety thermostat and thermostatic control.
- Stainless steel high splash guard on the rear and sides of cooking surface. Splash guard can be easily removed for cleaning.
- Temperature range of griddle from 110 °C to 300 °C.
- IPx4 water protection.

**Construction**

- Cooking surface to be completely smooth or completely ribbed.
- All exterior panels in Stainless Steel with Scotch Brite finishing.
- One piece pressed 1.5 mm work top in Stainless steel.
- Model has right-angled side edges to allow flush fitting joints between units, eliminating gaps and possible dirt traps.

**Included Accessories**

- 1 of Door for open base cupboard PNC 206350
- 1 of Full size basket for 14 and 15lt PNC 921691 free standing fryers

**Optional Accessories**

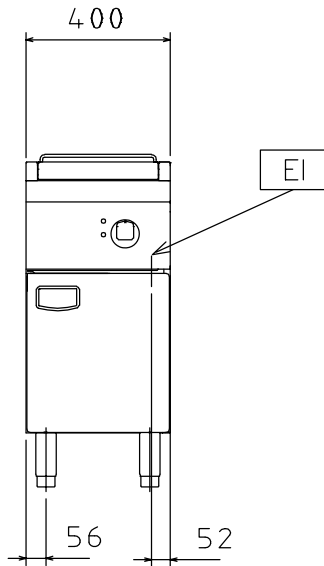
- Junction sealing kit PNC 206086
- Flanged feet kit PNC 206136
- Frontal kicking strip for concrete installation, 400mm PNC 206147
- Frontal kicking strip for concrete installation, 800mm PNC 206148
- Frontal kicking strip for concrete installation, 1200mm PNC 206151
- Frontal kicking strip for concrete installation, 1600mm PNC 206152
- Frontal kicking strip, 400mm (not for refr-freezer base) PNC 206175
- Frontal kicking strip, 800mm (not for refr-freezer base) PNC 206176
- Frontal kicking strip, 1000mm (not for refr-freezer base) PNC 206177

APPROVAL: \_\_\_\_\_

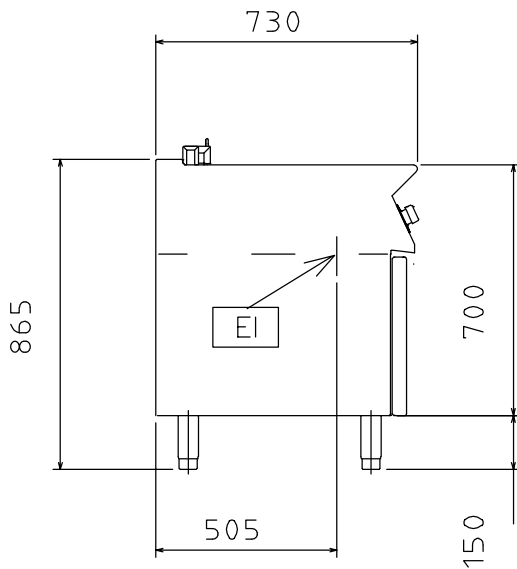


- Frontal kicking strip, 1200mm (not for refr-freezer base) PNC 206178
- Kit 4 feet for concrete installation (not for 900 line free standing grill) PNC 206210
- Pair of side kicking strips PNC 206249
- Electric heating kit for cupboards PNC 206259
- Pair of side kicking strips for concrete installation PNC 206265
- Right and left side handrails PNC 206307
- Back handrail 800 mm PNC 206308
- Back handrail 1200 mm PNC 206309
- Door for open base cupboard PNC 206350
- Base support for feet or wheels - 800mm (700/900) PNC 206367
- Base support for feet or wheels - 1200mm (700/900) PNC 206368
- Base support for feet or wheels - 1600mm (700/900) PNC 206369
- Rear paneling - 600mm (700/900XP) PNC 206373
- Rear paneling - 800mm (700/900) PNC 206374
- Rear paneling - 1000mm (700/900) PNC 206375
- Rear paneling - 1200mm (700/900) PNC 206376
- Chimney grid net, 400mm (700XP/900) PNC 206400
- Base support for feet or wheels - 600mm (700/900) PNC 206431
- 2 side covering panels for free standing appliances PNC 216000
- Full size basket for 14 and 15lt free standing fryers PNC 921691
- 2 half size baskets for 14 and 15lt fryers PNC 921692
- Filter for fryer oil collection basin for 7lt, 14lt, 15lt free standing fryers PNC 921693

Front

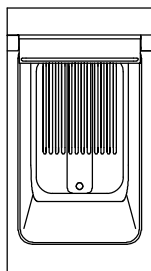


Side



EI = Electrical inlet (power)  
 EQ = Equipotential screw

Top



### Electric

#### Supply voltage:

371162 (E7FRMD1FF5) 380-400 V/3 ph/50/60 Hz

#### Electrical power max.:

8.7 kW

### Installation:

Indien de friteuse wordt geplaatst tegen of naast een temperatuur gevoelig apparaat, moet daartussen een veiligheidsopening van circa 150 mm komen of er moet warme isolatie geplaatst worden.

### Key Information:

#### Usable well dimensions

(width): 240 mm

#### Usable well dimensions

(height): 285 mm

#### Usable well dimensions

(depth): 380 mm

Well capacity: 12 lt MIN; 14 lt MAX

Thermostat Range: 105 °C MIN; 185 °C MAX

External dimensions, Width: 400 mm

External dimensions, Depth: 730 mm

External dimensions, Height: 850 mm

Net weight: 35 kg

Certification group: EF17114

Waterproof index: IPX4